

THIS PLAN AND ALL COPIES ARE RELEASED TO THE PUBLIC BY CREATOR:
CARNETIC
CLEAN POWER IN MOTION
 THE SOLE PROPERTY OF CARNETIC BY CREATOR STEINAR VIGDEL KOLNES UNDER THE CREATIVE COMMON (CC BY) LICENCE.

Designed by
Edgar

All dimensions are in millimeter unless otherwise specified

Checked by

Approved by



Date

Description

Material

Gusset PlateB Tri 115x200

Part name


Date
25-Sep-24

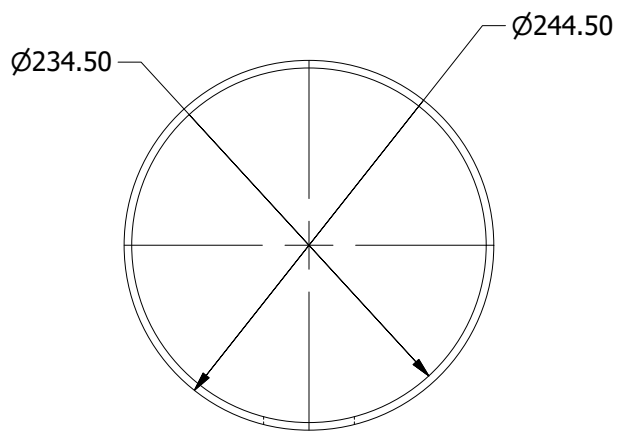
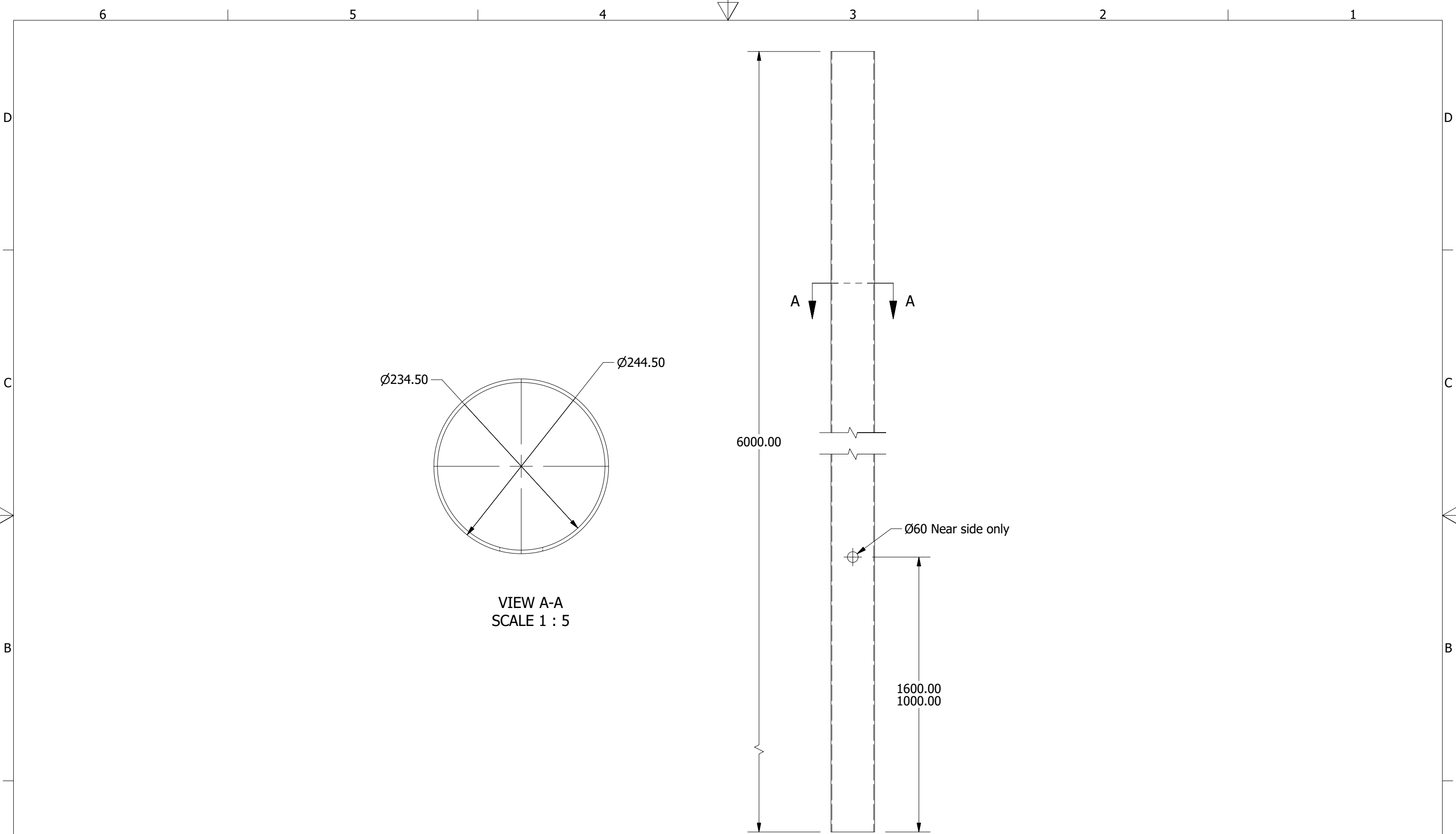
Scale
1 : 1

Item
1

Sheet
4 / 44

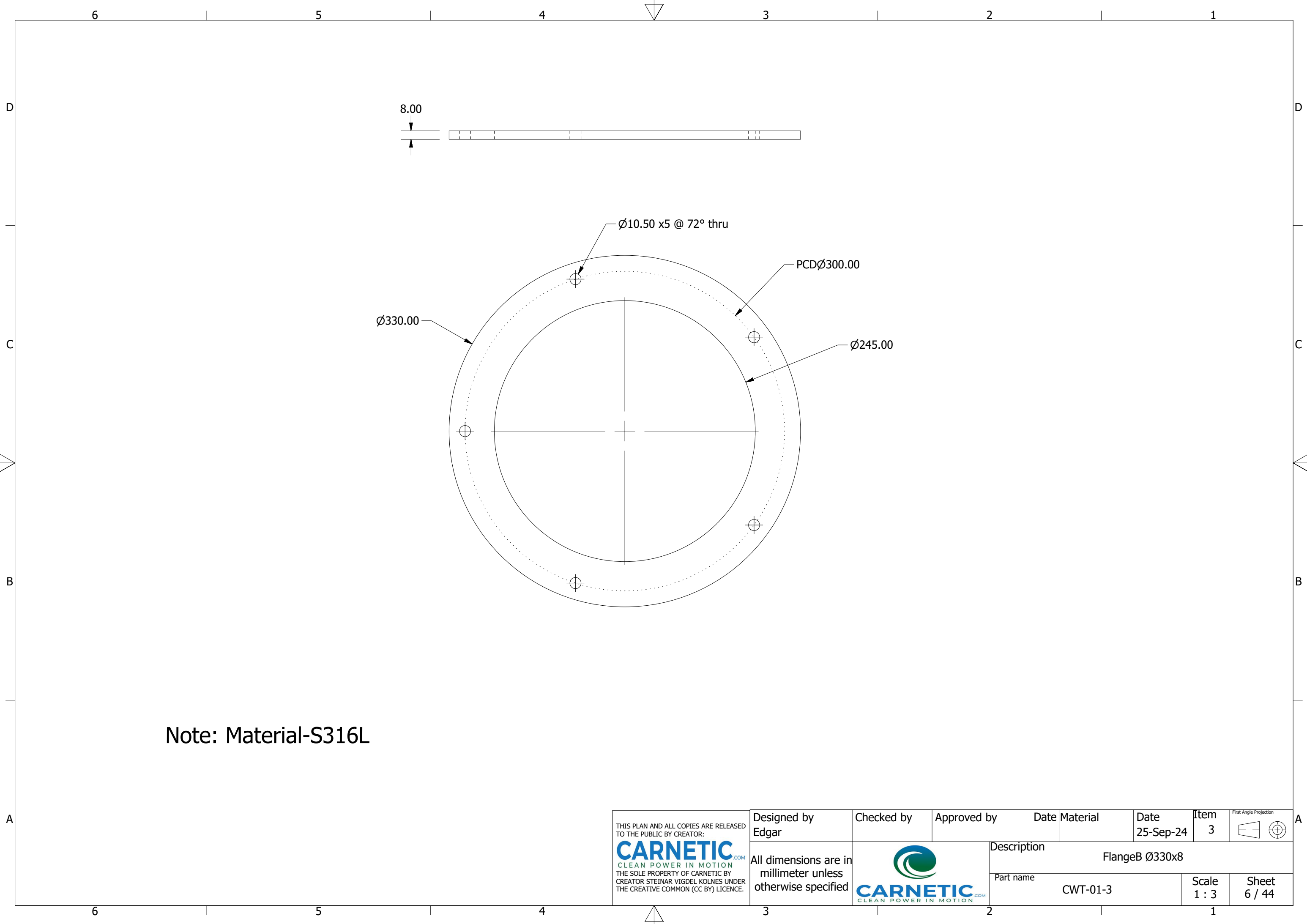
First Angle Projection






VIEW A-A
SCALE 1 : 5

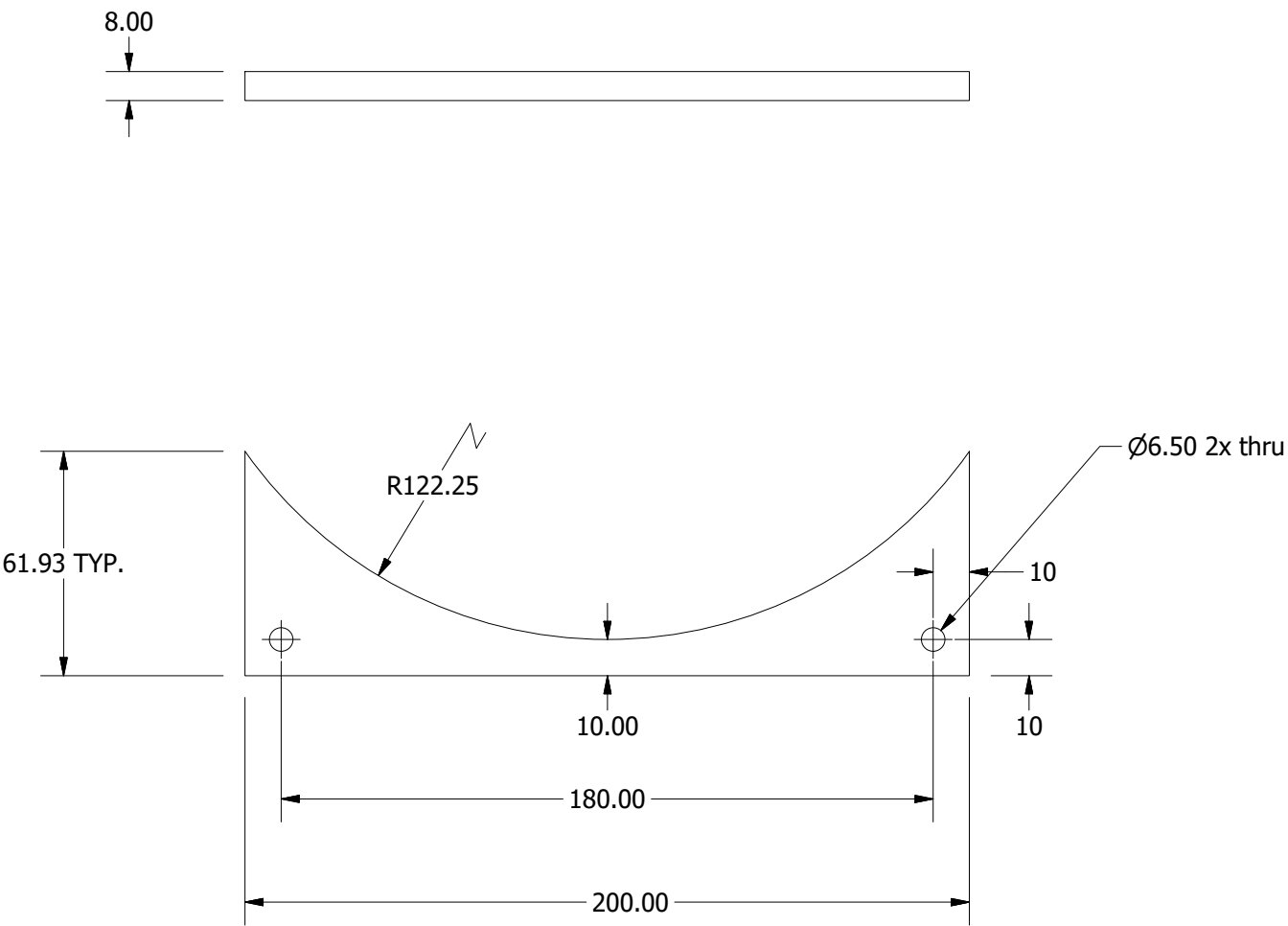
<p>THIS PLAN AND ALL COPIES ARE RELEASED TO THE PUBLIC BY CREATOR:</p> <p>CARNETIC CLEAN POWER IN MOTION THE SOLE PROPERTY OF CARNETIC BY CREATOR STEINAR VIGDEL KOLNES UNDER THE CREATIVE COMMON (CC BY) LICENCE.</p>	Designed by Edgar	Checked by	Approved by	Date	Material	Date 25-Sep-24	Item 2	First Angle Projection
	All dimensions are in millimeter unless otherwise specified				Description PostB Ø253x4500			
					Part name CWT-01-2	Scale 1 : 20	Sheet 5 / 44	



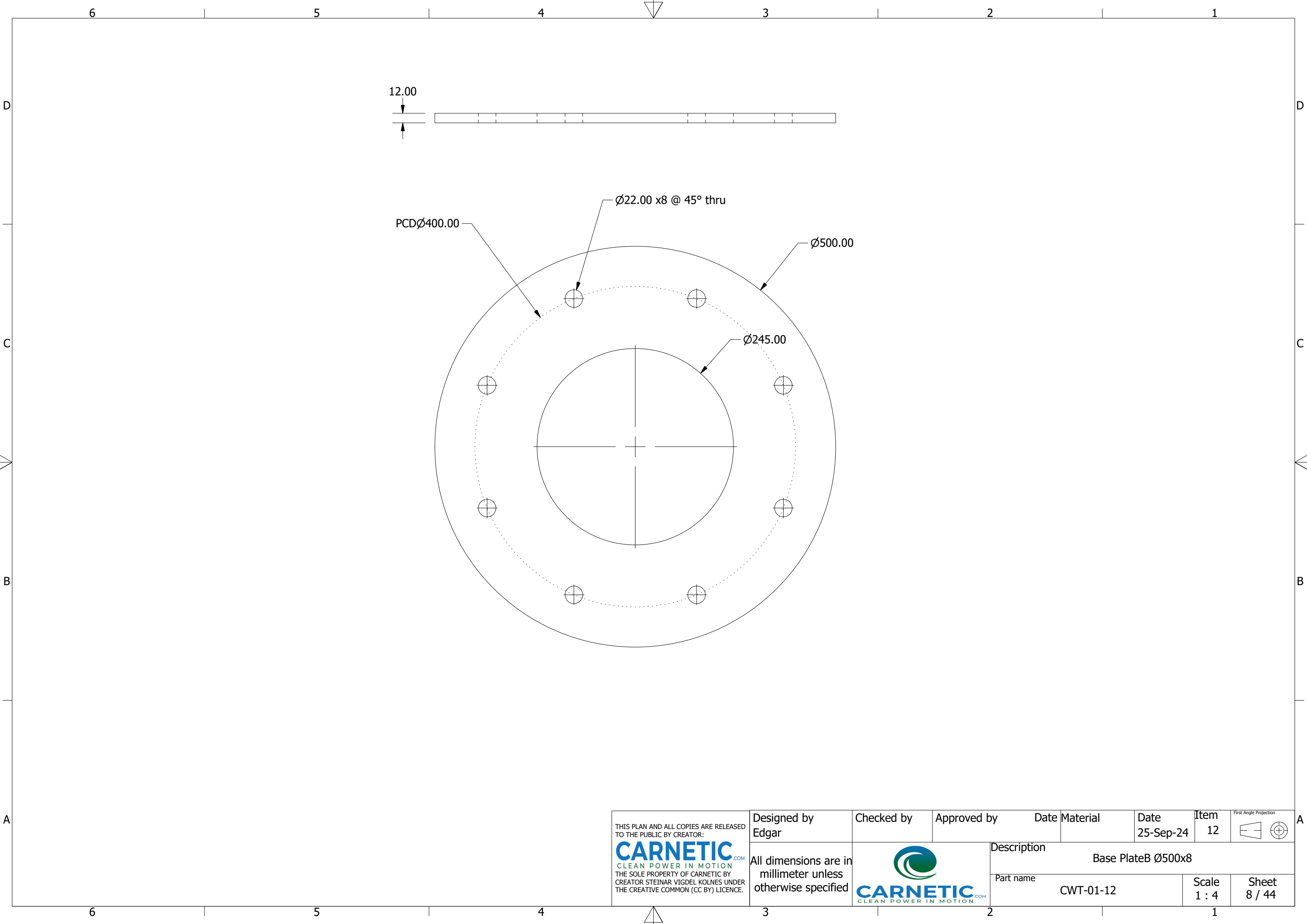
Note: Material-S316L

THIS PLAN AND ALL COPIES ARE RELEASED TO THE PUBLIC BY CREATOR: CARNETIC <small>CLEAN POWER IN MOTION</small> THE SOLE PROPERTY OF CARNETIC BY CREATOR STEINAR VIGDEL KOLNES UNDER THE CREATIVE COMMON (CC BY) LICENCE.	Designed by Edgar	Checked by	Approved by	Date	Material	Date 25-Sep-24	Item 3	First Angle Projection
	All dimensions are in millimeter unless otherwise specified				Description FlangeB Ø330x8			
					Part name CWT-01-3	Scale 1 : 3	Sheet 6 / 44	

Note: 1pc will be placed above Ø60 holes of post cable hole and 1pc below. Distance depend the size of control box.



THIS PLAN AND ALL COPIES ARE RELEASED TO THE PUBLIC BY CREATOR: CARNETIC .COM CLEAN POWER IN MOTION THE SOLE PROPERTY OF CARNETIC BY CREATOR STEINAR VIGDEL KOLNES UNDER THE CREATIVE COMMON (CC BY) LICENCE.	Designed by Edgar	Checked by	Approved by	Date	Material	Date 25-Sep-24	Item 39	First Angle Projection
	All dimensions are in millimeter unless otherwise specified				Description Mounting Bracket			
					Part name CWT-01-39	Scale 1 : 2	Sheet 7 / 44	



12.00

Ø22.00 x8 @ 45° thru
 PCDØ400.00
 Ø500.00
 Ø245.00

THIS PLAN AND ALL COPIES ARE RELEASED TO THE PUBLIC BY CREATOR: CARNETIC <small>CLEAN POWER IN MOTION</small> THE SOLE PROPERTY OF CARNETIC BY CREATOR STEINAR VIGDEL KOLNES UNDER THE CREATIVE COMMON (CC BY) LICENCE.	Designed by Edgar	Checked by	Approved by	Date	Material	Date 25-Sep-24	Item 12	First Angle Projection
	All dimensions are in millimeter unless otherwise specified				Description Base PlateB Ø500x8			
					Part name CWT-01-12	Scale 1 : 4	Sheet 8 / 44	